

# Henderson County Summary Sheet

## Accessory Structures, Decks, etc

This Box for Inspection Dept use only				
Received	Rejected	Approved	Const type	Occupancy

Name: \_\_\_\_\_ Phone: \_\_\_\_\_

What are you building? \_\_\_\_\_

Site Address: \_\_\_\_\_

Directions to site(from 100 N King Street): \_\_\_\_\_

(Check one)

Block Foundation

Height of Structure: \_\_\_\_\_

Post

Dimensions of Structure : \_\_\_\_\_ X \_\_\_\_\_

Mono Slab

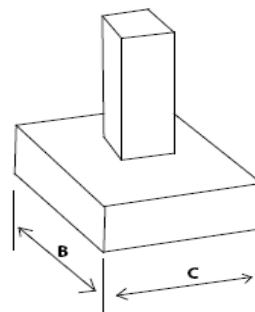
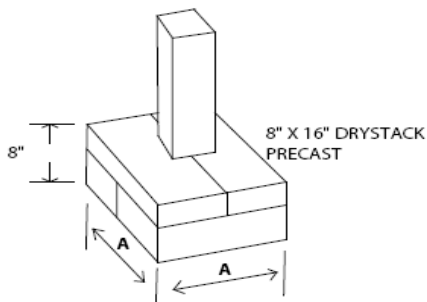
Consult with building official

Type of Piers (check one)

8 X 16

16 X 16

20 X 20



SIZE (inches)		TRIBUTARY AREA (sq. ft.)	THICKNESS (inches)	
A X A	B X C		Precast	Cast-in-place
8 x 16	8 x 16	36	4	6
12 x 12	12 x 12	40	4	6
16 x 16	16 x 16	70	8	8
	16 x 24	100		8
	24 x 24	150		8

This form is to be submitted and approved prior to applying for building permit.

Return to Inspections office or fax to 828-698-6185